



Triline Pumps

Vacuum & Pressure
Gas moving Engineers

Claw Vacuum Pumps
C Series





Claw Vacuum Pumps

Our Claw pumps are dry contact-less vacuum pumps with modular constructions consisting of two compartments: pumping and gear chambers which are separated by using labyrinth seals. As two claws rotate in opposite direction, the air will be sucked in the pumping chamber, compressed and discharged under pressure. In the gear chamber, two gears for synchronizing of the claws rotation are oil splash lubricated. A built in anti- suck back valve installed within the inlet flange, will prevent the air from flowing back into the vacuum chamber when the pump is shutdown. The pumps are directly driven by a flanged motor via a coupling. The claws and compression chamber have a TFE (Teflon) coating to protect the pump against corrosion from water in the pumped gasses.

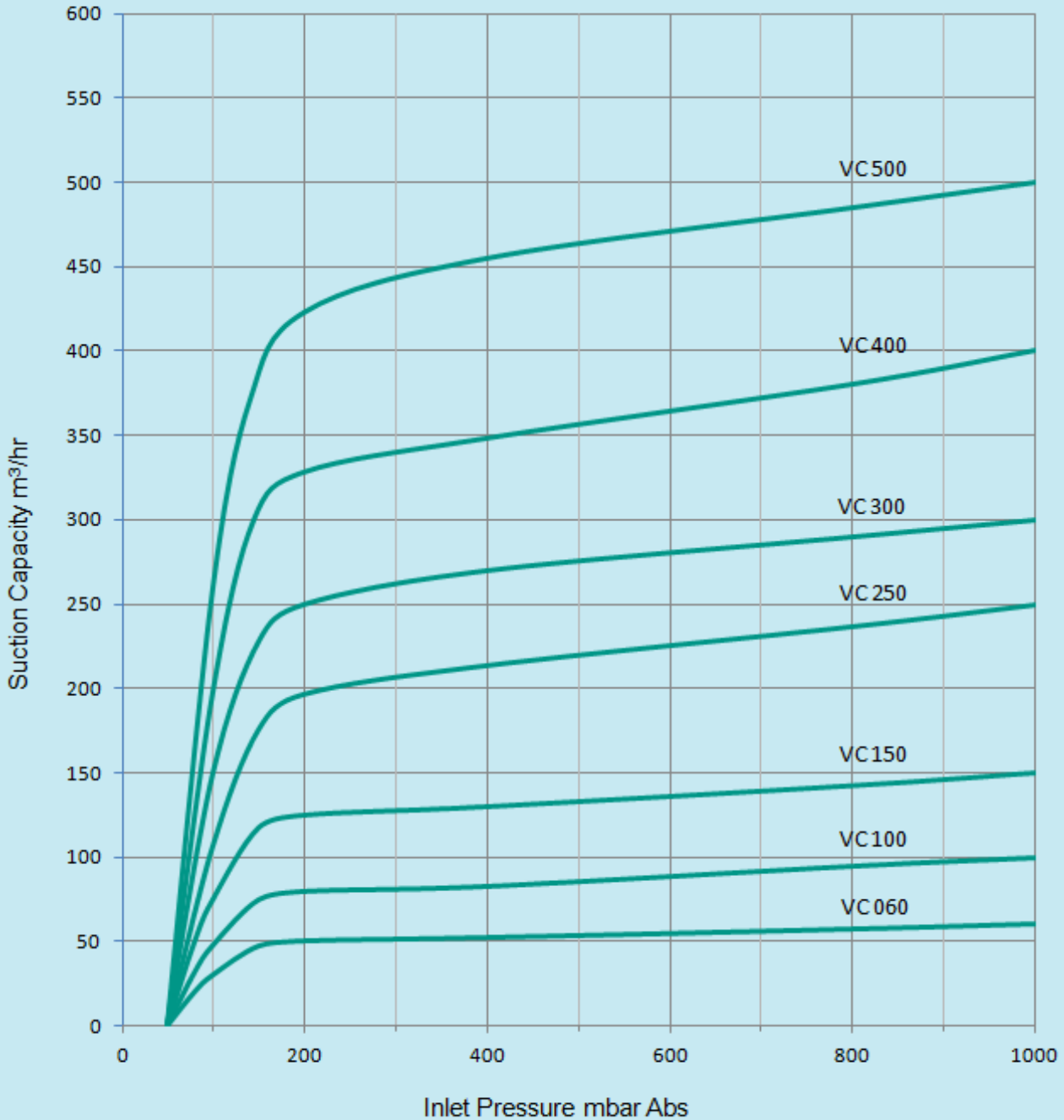
Advantages to the User

- **High pumping speed**
- **The pumping chamber is oil free**
- **Corrosion protection by Teflon coating**
- **Air-cooling, no water required**
- **Low space requirement, easy to install**
- **Very little maintenance is needed**
- **Maintenance-friendly**
- **Compact design**
- **Anti-Suckback valve to secure the vacuum in the system**
- **The two claws are running contact free**
- **Direct drive, Design requires no belts**
- **Wide range of accessories available for easy adaptation**

Contents

C series	50Hz curves	3
	Characteristics	4
	Dimensions	5

50Hz Performance



Performance is based on air at 20°C within an ambient of 25°C and a tolerance of +.5% at the suction. The ultimate vacuum of the pump can only be achieved for short durations, alternatively with special consultation and recommendations from Triline Pumps.



	VC 060	VC 060	VC 060	VC 060	VC 060	VC 060	VC 060
50Hz Displacement m ³ /h	60	100	150	234	300	400	500
Press. Continuous mbar A	160	160	160	180	180	200	200
Press. Max mbar A	60	50	50	50	50	50	50
Motor Power kW	1.1	2.2	3	4	5.5	7.5	9
Speed min ⁻¹	1450	2850	2850	2850	2850	2850	2850
Sound dB(A)	70	78	79	79	79	82	82
Mass kg	100	108	121	218	235	280	285
Oil l	0.5	0.5	0.5	0.75	0.75	0.75	0.75
Connection in/out	1½"	1½"	1½"	1½"	2"	3"	3"

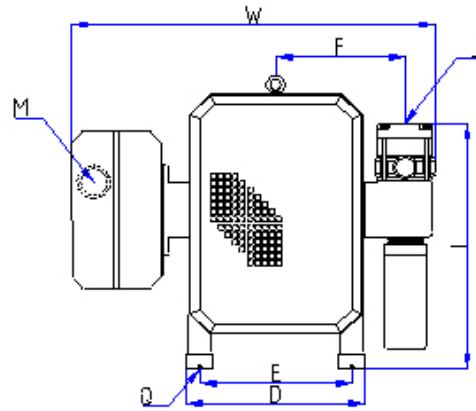
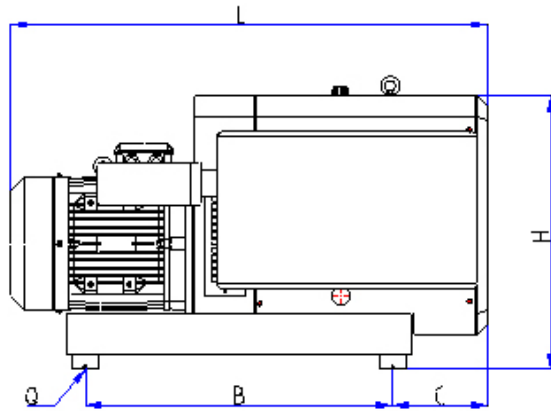
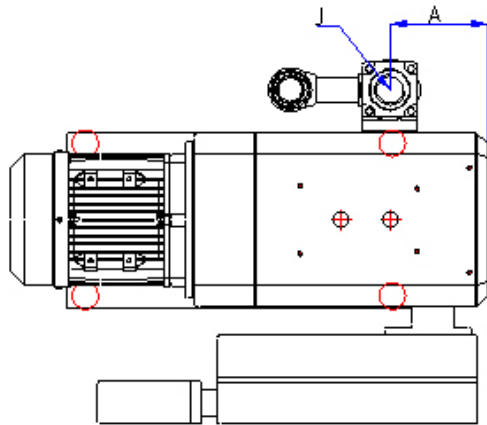
The VC D version can operated at lower ultimate's and continuous pressures than the standard range of pumps.

	VC D 060	VC D 100	VC D 150	VC D 250	VC D 300	VC D 400	VC D 500
50Hz Displacement m ³ /h	60	100	150	234	300	400	500
Press. Continuous mbar A	10	10	10	10	10	10	10
Press. Max mbar A	5	5	5	5	5	5	5
Motor Power kW	2.2	3.3	5.2	5.1	6.75	11.5	13
Speed min ⁻¹	1450	2850	2850	2850	2850	2850	2850
Sound dB(A)	72	79	80	80	81	84	84
Mass kg	250	290	280	350	450	550	600
Oil l	1	1	1	1.25	1.5	1.5	1.5
Connection in/out	1½"	1½"	1½"	1½"	2" / 1½"	3"	3"



Triline Pumps

Dimensions



	VC 060	VC 100	VC 150	VC 250	VC 300	VC 400	VC 500
L	660	698	751	884	916	1001	1058
W	525	525	525	698	698	899	899
H	368	368	368	524	524	544	544
A	128	128	144	180	187	205	215
B	440	440	440	590	590	800	800
C	98	98	122	167	182	133	152
E	224	224	224	292	249	292	292
D	254	254	254	342	342	372	372
F	201	201	201	249	249	284	284
I	334	334	334	471	471	468	468
J	1 1/2"	1 1/2"	1 1/2"	1 1/2"	2"	3"	3"
M	1 1/2"	1 1/2"	1 1/2"	1 1/2"	2"	3"	3"
Q	4 x M8	4 x M8	4 x M8	4 x M10	4 x M10	4 x M12	4 x M12

Triline Pumps UK Ltd

PO Box 135

Bolton BL1 9QH

Sales@trilinepumps.co.uk

44(0)845 543 9006