

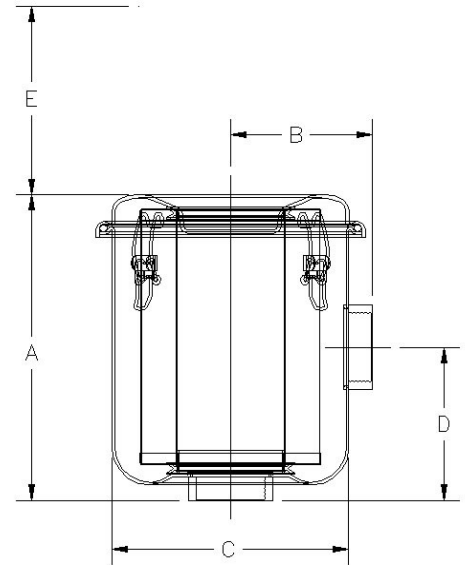
Data Sheet

Inline Vacuum filters



Features

- 99%+ removal efficiency std: Paper=2 micron
- Brazed fittings for high vacuum duty
- Stainless steel torsion clips for durability
- Rugged all steel construction with baked enamel Finish.
- Low pressure drop
- Positive sealing O-ring seal system
- Seamless drawn housings
- Temp (continuous): min -26° C max 104° C.
- Vacuum level: Typically 1.3x10⁻³ mbar



Pump	Filter Ref.	Details (mm ~)	Conn BSPP	Wt. (kgs)	Element Ref.
VSC 055	VF025	A=111, B=83, C=149, D=67, E=83	1"	1.5	E-0842P
VSC 080	VF030	A=111, B=83, C=149, D=67, E=83	1 ¹ / ₄ "	1.5	E-0842P
VSC 0140	VF040	A=171, B=105, C=186, D=114, E=133	1 ¹ / ₂ "	2.4	E-0848P
VSC 0210	VF050	A=171, B=105, C=186, D=114, E=133	1 ¹ / ₂ "	2.4	E-0848P
VSC 0315	VF051	A=260, B=116, C=222, D=127, E=235	2"	7.2	E-0850P
VSC 0495					

Notes.

1. Filter VF051 can also be used on pump model VSC 0210 where a lower DP is required.
2. A 2" adapter is provided with the VF050 to match the connection size of the VSC 0210 pump.
3. All connection are female
4. Pump connecting manifolds, hose connections and fittings can be supplied, please contact us for your requirement.

